

# Quantum Information with Solid-State Devices

VO 141.A55

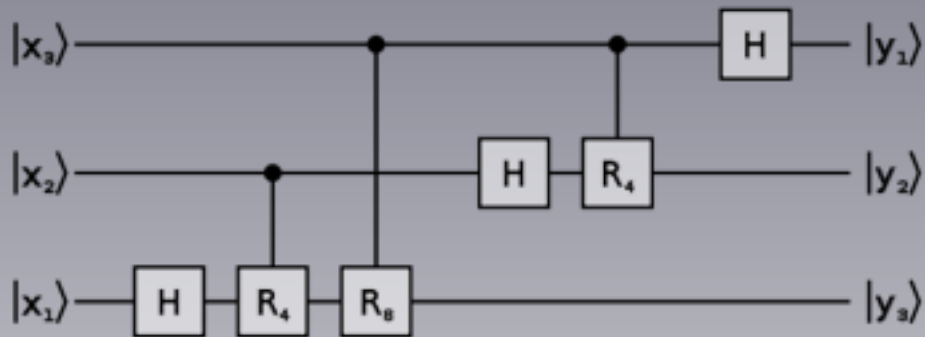
SS2016

Dr. Johannes Majer

Lecture 4



# I Basic Concepts



multiple qubits

quantum gates

simple quantum algorithms

Deutsch-Josza algorithm

Grover search algorithm

DiVincenzo criteria

# Bloch Sphere

